

## TILT SENSOR

### FEATURES

- Dual Axis Tilt Sensing
- Refresh Rates - 1 / 5 / 10 / 50 Hz
- RS232 and RS485 ASCII and MODBUS Output
- Stability over time and temperature range
- Compact & Low Power
- Industrial Grade

### APPLICATIONS

- Angle and Tilt Sensing
- Solar Tracking
- Robotics
- Platform Stabilization
- Platform Leveling
- ATM safety

### DESCRIPTION

The VEGA TS2D is a dual-axis, compact and robust industrial grade tilt sensor. The TS2D can be used in static and harsh environments as factories, automotive or construction sites.

The TS2D employs solid state MEMS accelerometers for gravity level sensing. It uses advanced statistical filtering algorithms and digital signal processing to deliver inclination data about longitudinal (X) and lateral (Y) axis. TS2D has low noise industrial grade accelerometer with low temperature dependence which makes it an ideal choice for OEM applications. The output is available in flexible selectable data rate.

The TS2D provides output (digital formats - RS232, RS485 ASCII and MODBUS RTU) and in static or non-accelerated environment. The device comes with an industrial grade circular M8 connector aiding the compatibility of the device over a wide range.

TS2D is suitable for solar tracking, safety load indication, robotics, marine and other static or non-accelerating platform leveling applications.

**VEGA TS2D**  
NEW 2019 RELEASE



## TECHNICAL SPECIFICATIONS

Parameter Name	Parameter Value
	VEGA
	TS2D
<b>Performance</b>	
Measurement Range	±180° (X-axis) ±60° (Y-axis)
Resolution	0.01°
Accuracy <sup>1</sup>	±0.2° (1σ)(static)
Update rate*	1 Hz, 5 Hz, 10 Hz, 50 Hz
<b>Electrical</b>	
Power Supply	+9 to +28 VDC
Current consumption	< 100 mA @ 12V
Interfaces	RS232, RS485
Protocols	ASCII, MODBUS RTU
Baud Rate	9600, 19200, 38400, 56700, 115200
<b>Environmental</b>	
Shock Survival <sup>2</sup>	20 g
Environmental Sealing	IP65
Operating Temperature	-40°C to +85°C
<b>Mechanical</b>	
Size	88 mm (L) x 58 mm (W) x 37 mm (H)
Weight	<300 gms
Casing Material	Aluminum

1 - TS2D - Calibrated over the entire temperature range

2 - Acceleration due to gravity

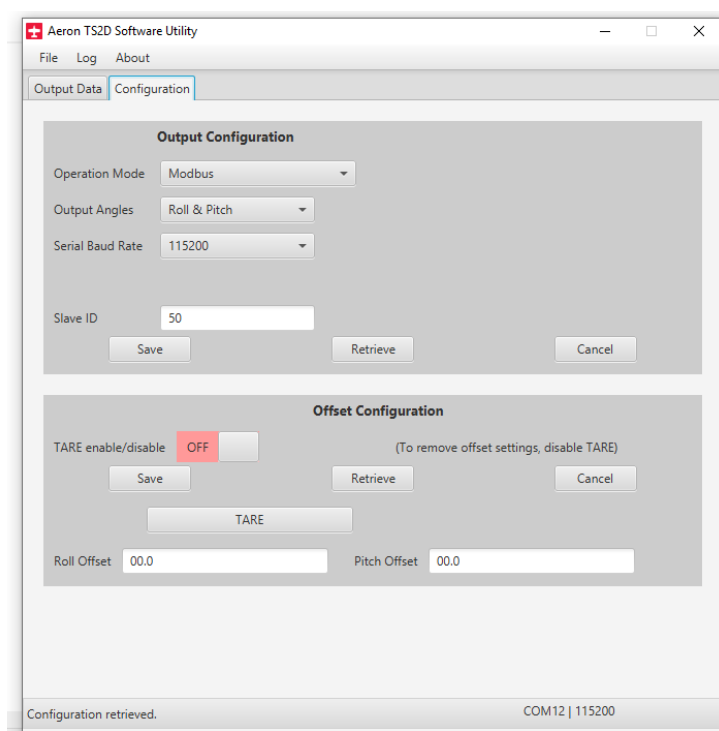
\* - Configurable

## DESKTOP APPLICATION

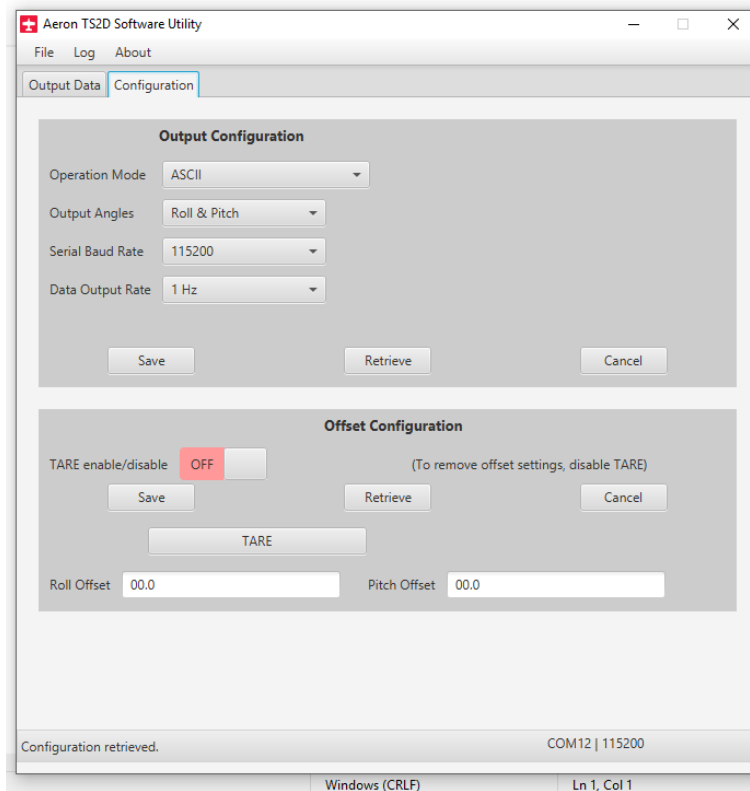
TS2D comes with a desktop software suite, for configuration and output data.

*Note: These images of the software suite are for reference.*

### MODBUS Configuration



### ASCII Configuration

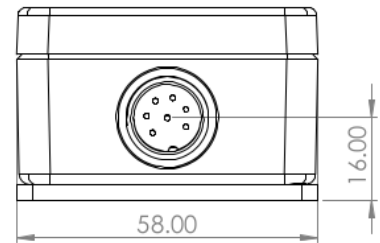
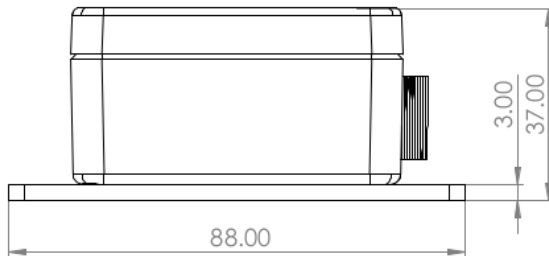
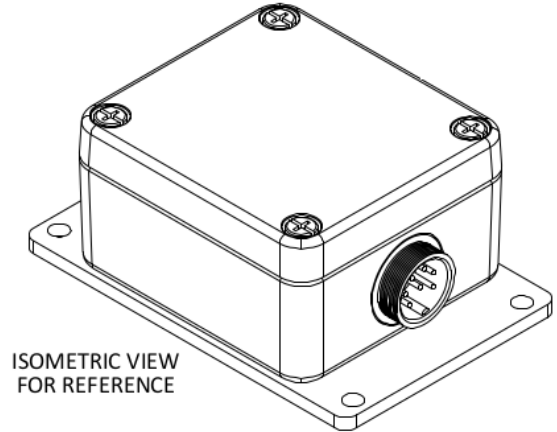
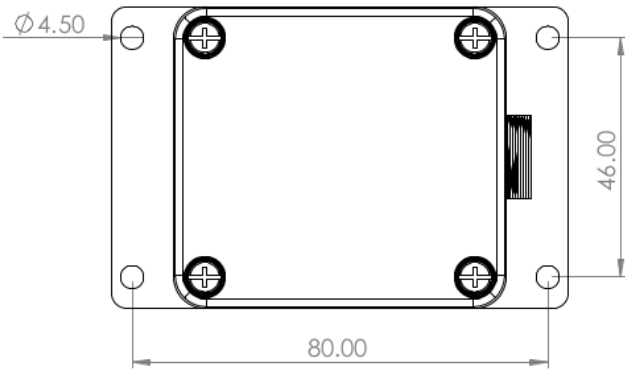


### Output Data



## MECHANICAL DIMENSIONS

All dimensions in mm



## ORDERING INFORMATION

**VEGA TS2D** (Product Code:14001)