

MICRO-MINIATURE INERTIAL NAVIGATION SYSTEMS

FEATURES

- Extended Kalman Filter
- Shock Survival up to 40 g
- Low Power and Cost Effective
- High performance MEMS gyro
- Multi Constellation RTK GNSS
- Weight: 80 gms
- MIL-STD-810E/F/G compliant

APPLICATIONS

- Pedestrian and Soldier navigation
- Autonomous Control and ADAS
- Drone and UAV Navigation
- Autopilot
- Precision Agriculture and Driverless Vehicles
- Smart Soldier

DESCRIPTION

Aeron's Micro-miniature Pollux INS is a family of extremely compact Inertial Navigation Systems. The systems run extended Kalman filter offering near tactical performance providing best estimates of navigation parameters including position, velocities, attitude, and heading. Pollux features tri-axial MEMS solid state accelerometers, tri-axial gyroscopes, magnetometer for heading measurement and an integrated multi-constellation GNSS.

Pollux is compact, low-powered and can fit in the applications where space is a constraint. It can feature in a wearable device to track assets in a battle management scenario and can be used for situational awareness for smart soldiers. Also it can be placed in the UAVs for navigation. The PLX2-NS20 model (Product Code: 17005) offers centimeter level (2.5 cm) position accuracy in RTK mode and 0.2 m/s velocity accuracy.

PLX2 - NS20



TECHNICAL SPECIFICATIONS

Parameter Name	Parameter Value
	PLX2 NS20
Acceleration	
Range	±16 g
Angular Rate	
Range	±450 °/s
Magnetometer	
Range	±8 gauss
Position / Velocity Accuracy	
Horizontal Position ¹	2.5 m CEP with L1 GNSS, 2.5 cm CEP with L1 RTK
Vertical Position ¹	5 m (1σ) with GNSS
Velocity ¹	0.2 m/s RMS
Attitude	
Roll Range	±180°
Pitch Range	±90°
Roll, Pitch Accuracy	0.1° RMS (static), 0.2° RMS (dynamic)
Heading Range	±180°
Heading Accuracy	< 0.3° RMS with GNSS in dynamic conditions ¹ < 0.5° RMS with magnetometer ^{2,3}
Angle Resolution	0.01°
GPS / GNSS Type	72 Channels - GPS/QZSS L1, GLONASS L10F, BeiDou B1, SBAS L1
Cold Start	26 s
Barometer	
Range	300-1200 hPa
Accuracy	±0.5 hPa
Electrical	
Input Voltage	5 V DC to 28 V DC
Power Consumption	<2 W
Communication	
Update rate	Up to 50 Hz (Navigation Data) Up to 200 Hz (IMU Data)
Outputs	Euler Angles (Yaw, Pitch, Roll), Quaternion, Position, Velocity, Linear Acceleration, Angular Rate, Time
Interface	2 x RS232, 1 x RS422 and 1PPS
Serial Protocol	ASCII NMEA, Binary
Physical and Environmental	
Weight	~ 80 gms
Size	45 mm (L) x 45 mm (W) x 20 mm (H)
Operating Temperature	-40 °C to +85 °C
Storage Temperature	-40 °C to +85 °C
Survival Shock	40 g
Operating Vibration	0.04 g ² /Hz
IP Protection	IP65

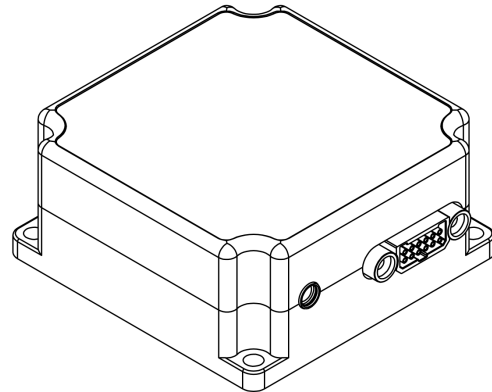
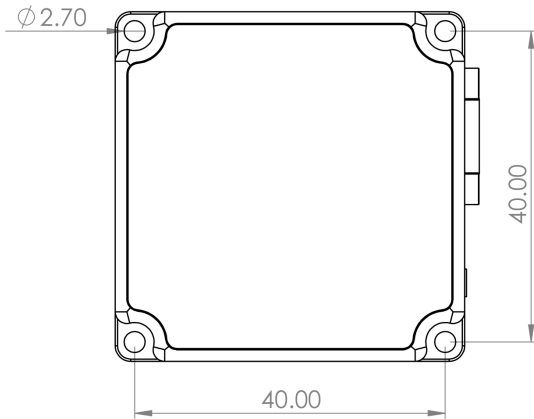
1 - Under good GNSS availability

2 - Accuracy after magnetic calibration and setting correct declination / offset angle

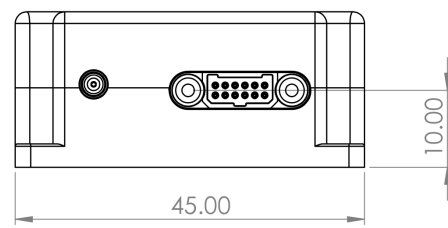
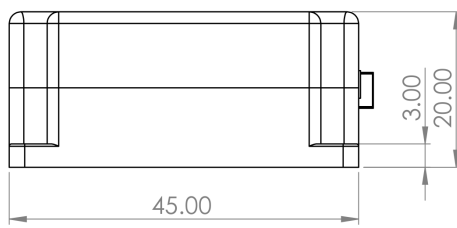
3 - After magnetic calibration for Hard Iron and Soft Iron disturbances, and in static magnetic field

MECHANICAL DIMENSIONS

All dimensions in mm.



ISOMETRIC VIEW FOR REFERENCE



ORDERING INFORMATION

PLX2 - NS20 (Product code: 17005)