

MICRO-MINIATURE INERTIAL NAVIGATION SYSTEM

FEATURES

- Extended Kalman Filter
- Shock Survival up to 40 g
- Low Power and Cost Effective
- High performance MEMS gyro
- Miniature size
- Weight: 80 gms
- MIL-STD-810 compliant

APPLICATIONS

- Drone and UAV Navigation
- Autopilot
- Driverless Vehicles
- Autonomous Control and ADAS
- Pedestrian and Soldier navigation

DESCRIPTION

Aeron's Micro-miniature Pollux 2 INS is a family of extremely compact Inertial Navigation Systems. The systems run extended Kalman filter offering near tactical performance providing best estimates of navigation parameters including position, velocities, attitude and heading. Pollux 2 features tri-axial MEMS solid state accelerometers, tri-axial gyroscopes, magnetometer for heading measurement and an integrated multi-constellation GNSS.

Pollux 2 is extremely compact, low-powered and can fit in the applications where space is a constraint. Due to the small size it can be placed in the UAVs for navigation. The PLX2-NS10 model (Product Code: 17004) offers 2 m CEP position accuracy and 0.2 m/s velocity accuracy.

PLX2 - NS10



TECHNICAL SPECIFICATIONS

Parameter Name	Parameter Value
	PLX2 NS10
Acceleration	
Range	±16 g
Angular Rate	
Range	±450 °/s
Magnetometer	
Range	±8 gauss
Position / Velocity Accuracy	
Horizontal Position ¹	2 m CEP with GNSS 1.5 m CEP with SBAS
Vertical Position ¹	5 m (1σ) with GNSS
Velocity ¹	0.2 m/s RMS
Attitude	
Roll Range	±180°
Pitch Range	±90°
Roll, Pitch Accuracy	0.1° RMS (static), 0.2° RMS (dynamic)
Heading Range	±180°
Heading Accuracy	<0.3° RMS with GNSS in dynamic conditions ¹ <0.5° RMS with magnetometer ^{2,3}
Angle Resolution	0.01°
GPS / GNSS	
Type	72 Channels - GPS/QZSS L1, GLONASS L1OF, Galileo E1B/C, BeiDou B1, SBAS L1
Cold Start	26 s
Barometer	
Range	300 - 1200 hPa
Accuracy	±0.5 hPa
Electrical	
Input Voltage	5 V to 28 V DC
Power Consumption	<2 W
Communication	
Update rate	Up to 50 Hz (Navigation Data) Up to 200 Hz (IMU Data)
Outputs	Euler Angles (Yaw, Pitch, Roll), Quaternion, Position, Velocity, Acceleration, Angular Rate and Time
Interface	RS232, RS422, USB and 1PPS
Serial Protocol	ASCII NMEA, Binary
Physical and Environmental	
Weight	~ 80 gms
Size	45 mm (L) x 45 mm (W) x 20 mm (H)
Operating Temperature	-40 °C to +85 °C
Storage Temperature	-40 °C to +85 °C
Survival Shock	40 g
Operating Vibration	0.04 g ² /Hz
IP Protection	IP65

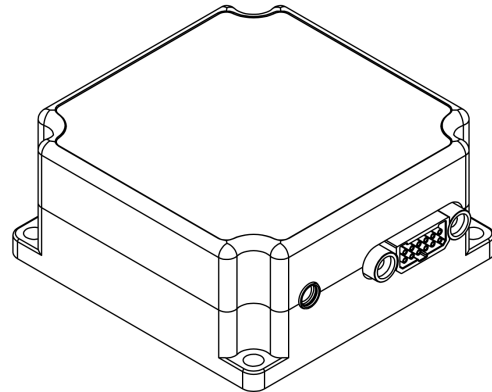
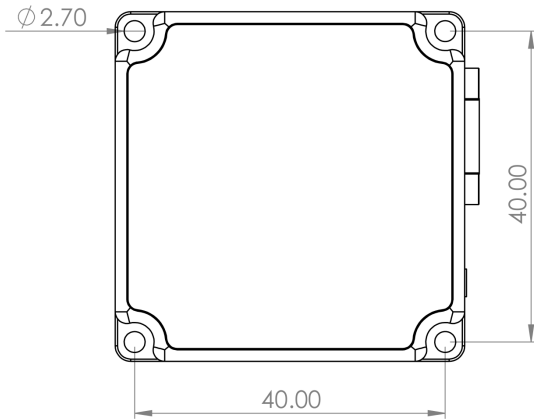
1 - Under good GNSS availability

2 - Accuracy after magnetic calibration and setting correct declination / offset angle

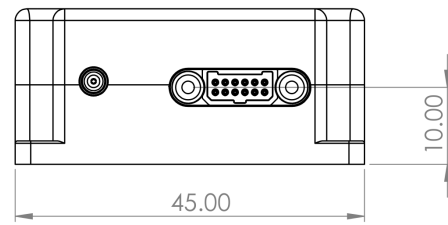
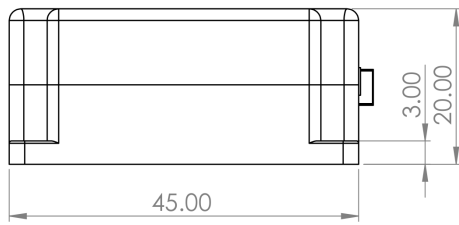
3 - After magnetic calibration for Hard Iron and Soft Iron disturbances, and in static magnetic field

MECHANICAL DIMENSIONS

All dimensions in mm.



ISOMETRIC VIEW FOR REFERENCE



ORDERING INFORMATION

PLX2 - NS10 (Product code: 17004)