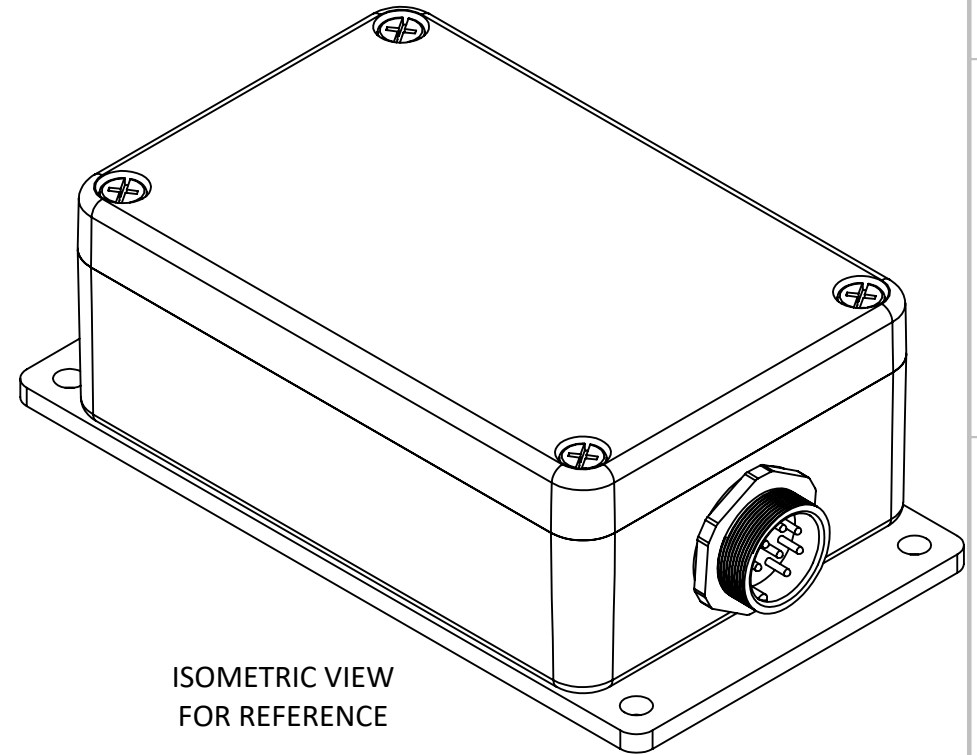
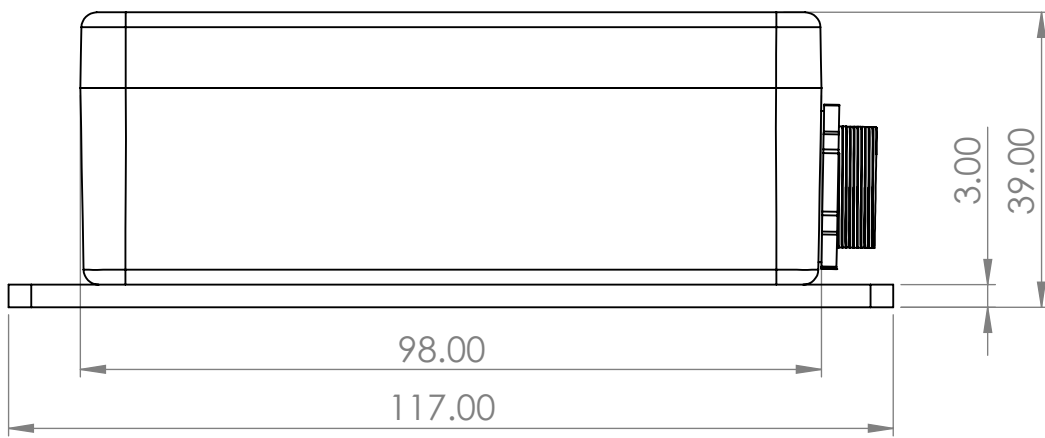
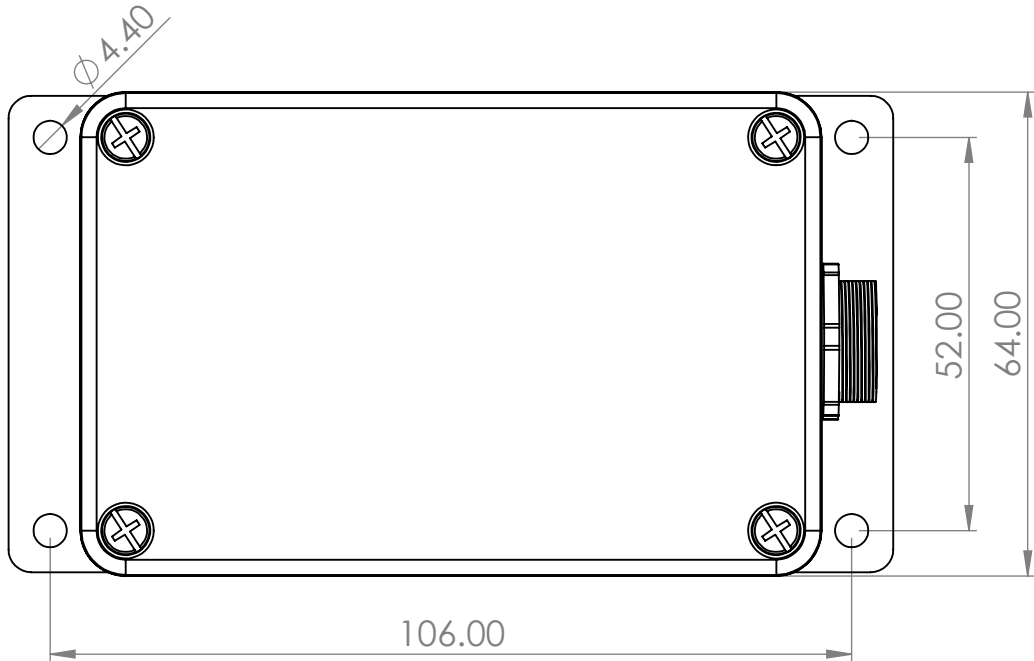
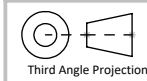


THE INFORMATION CONTAINED IN THIS DRAWING IS THE SOLE PROPERTY OF AERON SYSTEMS PVT. LTD. ANY REPRODUCTION IN PART OR WHOLE WITHOUT THE WRITTEN PERMISSION OF AERON SYSTEMS PVT. LTD. IS PROHIBITED.

CONFIDENTIAL



ISOMETRIC VIEW FOR REFERENCE



Third Angle Projection

DEBURR AND BREAK SHARP EDGES

STOCK SIZE: NA
SURFACE COATING: SILVER GREY
POWDER COATED

MATERIAL: DIN EN 1706 EN AC-AISI 12 (Fe)
WEIGHT: < 350 gm
SURFACE FINISH: NA

aeron
AERON SYSTEMS PVT. LTD.
Plot No. 7, Lane No. 5,
Behind Dmart, Laxman Nagar,
Balewadi, Pune-411045,
MAHARASHTRA

REVISION HISTORY			
DATE	VERSION	DESCRIPTION	AUTHOR
25/09/2020	v1.0	FIRST DRAWING ISSUE	MRP

DEVIATION FOR NON-TOLERANCED DIMENSIONS (IS : 2102 MEDIUM GRADE)
DIAMETER AND LENGTH UPTO & INCL.
6 ± 0.1
6-30 ± 0.2
30-120 ± 0.3
120-315 ± 0.5

AERON SYSTEMS	DESIGN'D BY	NAME	SIGNATURE	TITLE:
	DRAWN BY	MADHAVI PATANKAR		PROD DIM
	CHECKED BY	ABHIJEET MANDAVGANE		PROJECT NAME: VEGA-TSW-G
	APPRV'D BY	ABHIJEET BOKIL		DWG NO: 140040006110001
APPROVED FOR QUOTATION		UNLESS OTHERWISE SPECIFIED: DIMENSIONS ARE IN MILLIMETERS		SCALE 1:1.2

PROJECT NAME: VEGA-TSW-G	DWG NO: 140040006110001	REVISION : r1.0	A4
SHEET 1 OF 1	SCALE 1:1.2		