

SMART WIRELESS DATA LOGGERS

FEATURES

- 24 bit ADC resolution
- 16 / 8 Analog Single Ended or 8 / 4 Differential Channels
- 1000 Parameters Logged Simultaneously
- Selectable Logging and Update rates
- Connectivity over Ethernet, Wi-Fi & LTE(4G) / UMTS / GPRS
- Interfaces - RS232, RS485 MODBUS RTU / MODBUS TCP & SDI12
- Industrial Grade
- CSV data download via embedded web-page and USB
- Time synchronization via GPS and internet

APPLICATIONS

- Solar Meteorological Station
- Wireless Weather Monitoring Station
- Air Quality Monitoring
- Industrial Automation
- Water Quality Monitoring
- Renewable Energy Monitoring

DESCRIPTION

XTREME is a family of powerful and smart dataloggers which can acquire measurements from multiple sensors over various analog and digital interfaces. The device communicates the data securely with the cloud (via Ethernet / Wi-Fi / LTE) for real-time environment and industrial process monitoring.

The sensors are sampled at the rate of 200 Hz with industry leading ADC which has a resolution of 24-bit (>20 ENOB) ensuring precision data acquisition. The devices have an external storage upto 32 GB which can store up to 100 parameters for 5 years with logging interval of 1 min (the data retention period depends on external storage, number of parameters and logging intervals). The device has a high speed processor architecture (32-bit, 900 MHz) with the capability of edge computing for AI based IIOT applications.

XTREME provides easy access to logged data through webpage in local and remote networks. Data can also be downloaded to computer from the webpage or by inserting a pen drive in the device.

Variants

XG920 (Product Code: 24008)

XG920 has 8 analog channels with 24-bit resolution (4 differential channels or 8 single ended channels). This model consists of communication over Ethernet, Wi-Fi and LTE (4G).

XG930 (Product Code: 24009)

XG930 has 16 analog channels with 24-bit resolution (8 differential channels or 16 single ended channels). This model consists of communication over Ethernet, Wi-Fi and LTE (4G).

XTM XG920

XTM XG930



Note: This is a representational image

TECHNICAL SPECIFICATIONS

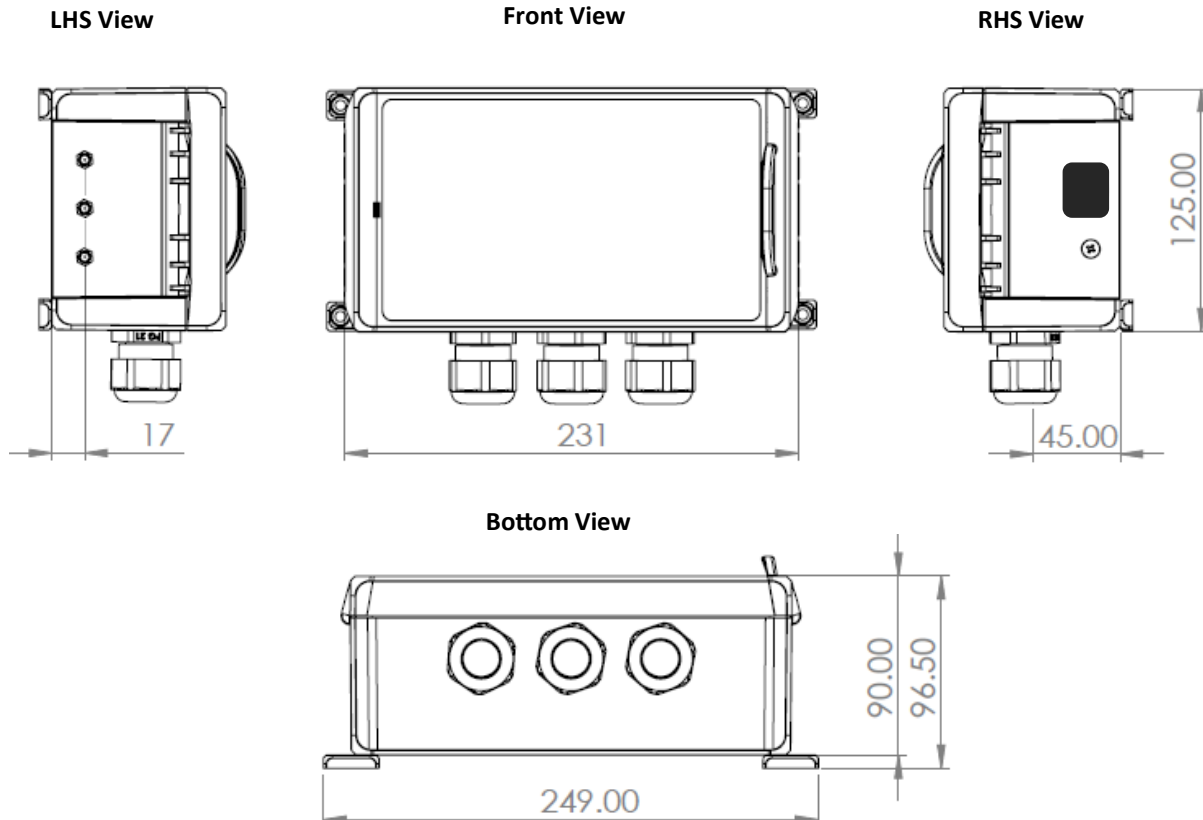
Parameter Name	Parameter Value	
	XTREME	
	XTM XG920	XTM XG930
ANALOG INPUTS		
Channels	4 differential or 8 single ended 24-bit	8 differential or 16 single ended 24-bit
Range	0 - 5 V 0 - 100 mV 0 - 20 mA 80 - 200 Ω (PT 100) 800 - 2000 Ω (PT 1000)	
Resolution	24-bit	
Accuracy	±0.03 % of FS at 30 °C ±0.06 % of FS over the entire temperature range	
Type	Delta - Sigma	
Analog Sampling Rate	upto 200 Hz	
DIGITAL INPUTS		
Digital I/P	4	
Digital O/P	2	
Max I/P Frequency	1 kHz	
SERIAL INPUTS		
Interfaces	RS232(x2), RS485(x2), SDI12	
Protocols	RS232(1): NMEA (O/P) / MODBUS (slave) RS232(2): MODBUS (master) RS485(1): MODBUS (master) RS485(2): MODBUS (slave)	
Baudrate	RS232 / RS485: 9600, 38400, 19200, 57600, 115200 SDI12: 1200	
ADDITIONAL CHANNELS		
Sensor Inputs	Rain Bucket (Aeron and Davis [®] Make) Anemometer (Davis [®] Make) Air Temp. Humidity (Aeron and Davis [®] Make) OPC particle sensor (Alphasense [®] Make)	
On-board Sensors	Temperature Sensor	
NETWORK INTERFACES		
Interfaces	Ethernet, Wi-Fi and LTE	
Protocols	Ethernet / Wi-Fi / LTE: FTP, HTTP, HTTPS TCP: MODBUS	
Frequency Band	FDD LTE: B1/B3 TDD LTE: B38/B39/B40/B41 TDSCDMA: B34/B39 WCDMA: B1 CDMA2000 1x/EVDO: BC0 GSM: 900/1800 Wi-Fi: IEEE 802.11 a/b/g/n, 2.4 GHz	
MEASUREMENT PARAMETERS		
Simultaneous Parameters	1000 parameters including sensor and calculated parameters	
Logging Data Rate	1 minute (min.) to 24 hours (max.)	
Time Synchronization	GPS / Cellular / NTP / Manual	

TECHNICAL SPECIFICATIONS

STORAGE	
Memory	32 GB (inbuilt)
USB	Data retrieval on a Pen Drive
OTHER SPECIFICATIONS	
Micro-processor	32-bit
LED Indicators	Power, USB data download, Internet
RTC	Onboard with 3 V coin cell
ELECTRICAL	
Voltage I/P	9 to 28 V DC
Power Consumption	<10 W
Batteries	Additional accessory, needs to be purchased separately
ENVIRONMENT	
Operating Temperature	-20 °C to +70 °C
Protection	IP65
Housing	PC UV Protected
Dimensions	231 (L) x 125 (W) x 90 (H) mm
Weight	<1 kg

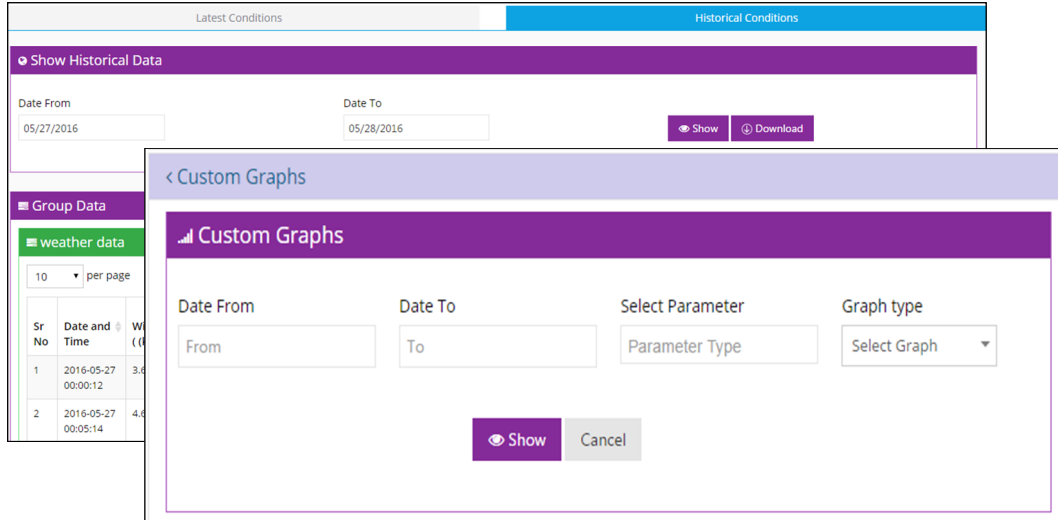
MECHANICAL DIMENSIONS

All dimensions in mm



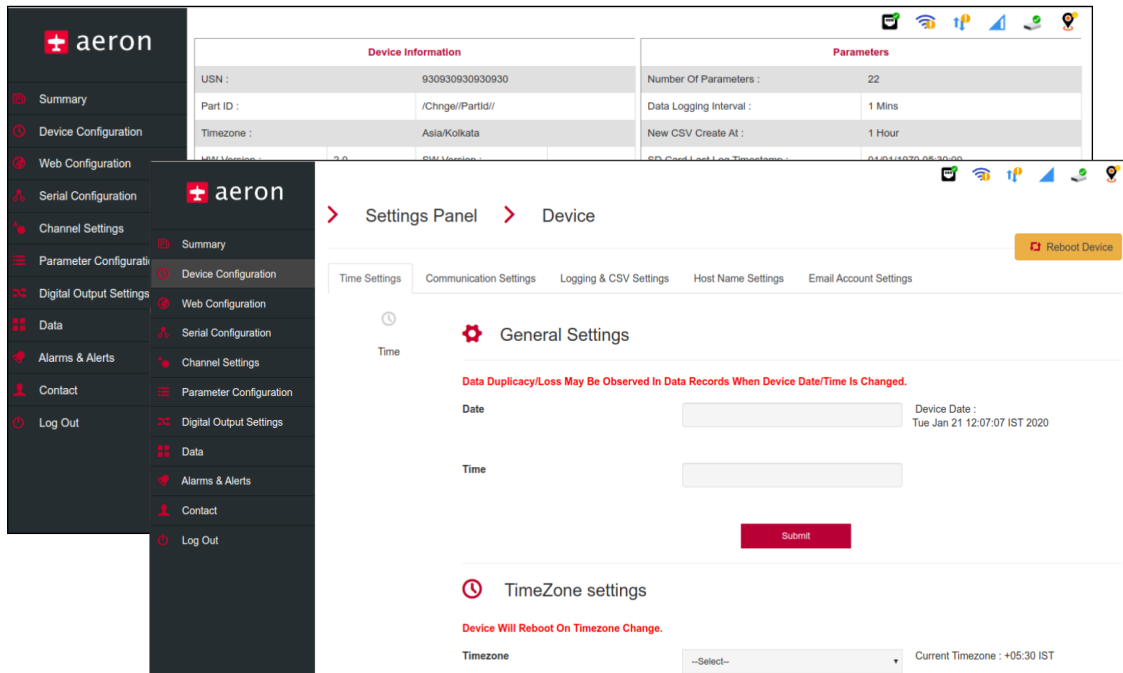
AERON LIVE

Aeron Live a user-friendly cloud service from Aeron, for 24x7 data storage and analysis.



EMBEDDED WEBPAGE

Configuration made easy through embedded web server.



ORDERING INFORMATION

XTM - XG9X0

2 : 8 Analog Channels (Product Code: 24008)
3 : 16 Analog Channels (Product Code: 24009)