

MODULE TEMPERATURE SENSOR

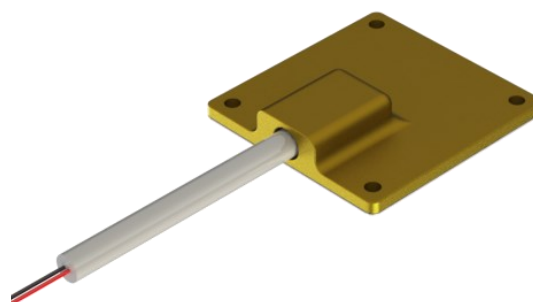
FEATURES

- Compact
- Environmentally robust IP65
- Low power
- Adhesive mount
- Extended temperature range
- Class A Standard compliant

APPLICATIONS

- Surface temperature measurement
- Module temperature measurement
- Solar energy applications
- Weather monitoring applications

RIGEL MT1000R



DESCRIPTION

Aeron's Rigel MT1000R module temperature sensor measures surface temperature of PV panels. The measurement accuracy of the sensor is compliant with Class A standard. A strong adhesive on the sensor case is used to fix it firmly to the back of the panel.

The sensor is designed with a high-quality PT1000 standard RTD with temperature-dependent resistance. The sensor has an anodized Aluminium casing which protects the RTD element from outdoor environment and is thermally conductive to capture the surface temperature accurately.

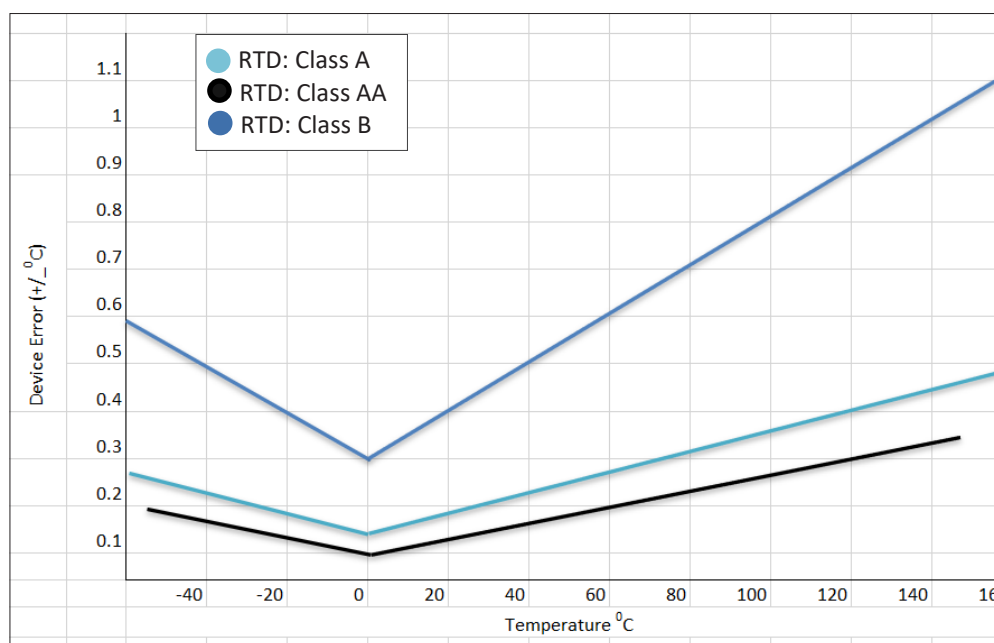
The Rigel temperature sensor is ideal for solar plant applications, weather monitoring applications and other industrial applications that requires surface temperature measurement.



TECHNICAL SPECIFICATIONS

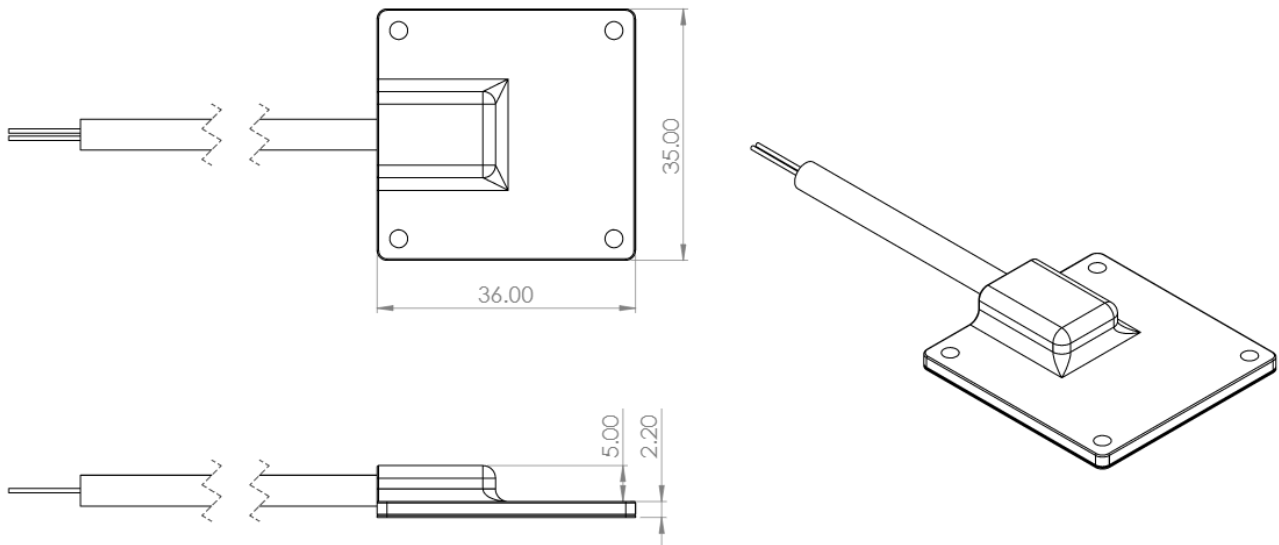
PARAMETER NAME	PARAMETER VALUE
	RIGEL MT1000R
TEMPERATURE MEASUREMENT	
Output Signal	Resistance Output
Temperature Range	-40 °C to 120 °C
Accuracy	Class A
Sensor Type	PT1000
Sensor Element Type	RTD Class A
Tolerance	$\pm(0.15 + 0.0020 t)^*$
PHYSICAL AND ENVIRONMENTAL	
Operating Temperature	-40 °C to 120 °C
Ingress Protection	IP65
Material	Aluminium 6082
Dimensions	36 mm (L) x 35 mm (W) x 7.2 mm (H)
Weight	<15 gms (excluding cable weight)
Cable Length	2 meters

* | t | is the numerical value of the temperature in °C irrespective of the sign.

ACCURACY GRAPH


MECHANICAL DIMENSIONS

All dimensions in mm



OUTPUT VARIANTS

The Rigel module temperature sensor has a variety of output signals available such as current output, voltage output and serial output. The details for the sensor output variants are listed below.

S.N	MODEL	OUTPUT
1	RIGEL-MT1000A	Current Output (4 - 20 mA)
2	RIGEL-MT1000V	Voltage Output (0 - 5 V)
3	RIGEL-MT1000S	Serial Output (RS-485 MODBUS)

NOTE: For more details regarding output variants, please contact Aeron's sales team.

ORDERING INFORMATION

RIGEL MT1000R (PRODUCT CODE: 55006)