

SMART WIRELESS DATA LOGGERS

FEATURES

- 24 bit ADC resolution
- 16 / 8 Analog Single Ended or 8 / 4 Differential Channels
- 1000 Parameters Logged Simultaneously
- Selectable Logging and Update rates
- Connectivity over Ethernet, Wi-Fi, Bluetooth and LTE (4G) / UMTS / GPRS
- Interfaces - RS232, RS485 MODBUS RTU / MODBUS TCP and SDI12
- Industrial Grade
- CSV data download via embedded web-page and USB
- Time synchronization via GPS and internet

APPLICATIONS

- Solar Meteorological Station
- Wireless Weather Monitoring Station
- Air Quality Monitoring
- Industrial Automation
- Water Quality Monitoring
- Renewable Energy Monitoring

DESCRIPTION

XTREME is a family of powerful and smart dataloggers which can acquire measurements from multiple sensors over various analog and digital interfaces. The device communicates the data securely with the cloud (via Ethernet / Wi-Fi / Bluetooth / LTE) for real-time environment and industrial process monitoring.

The sensors are sampled at the rate of 200 Hz with industry leading ADC which has a resolution of 24-bit (>20 ENOB) ensuring precision data acquisition. The devices have an external storage upto 32 GB which can store up to 100 parameters for 5 years with logging interval of 1 min (the data retention period depends on external storage, number of parameters and logging intervals). The device has a high speed processor architecture (32-bit, 900 MHz) with the capability of edge computing for AI based IIOT applications.

XTREME provides easy access to logged data through webpage in local and remote networks. Data can also be downloaded to computer from the webpage or by inserting a pen drive in the device.

VARIANTS

XG920 (Product Code: 24008)

XG920 has 8 analog channels with 24-bit resolution (4 differential channels or 8 single ended channels). This model consists of communication over Ethernet, Wi-Fi, Bluetooth and LTE (4G).

XG930 (Product Code: 24009)

XG930 has 16 analog channels with 24-bit resolution (8 differential channels or 16 single ended channels). This model consists of communication over Ethernet, Wi-Fi, Bluetooth and LTE (4G).

XTM XG920

XTM XG930



Note: This is a representational image

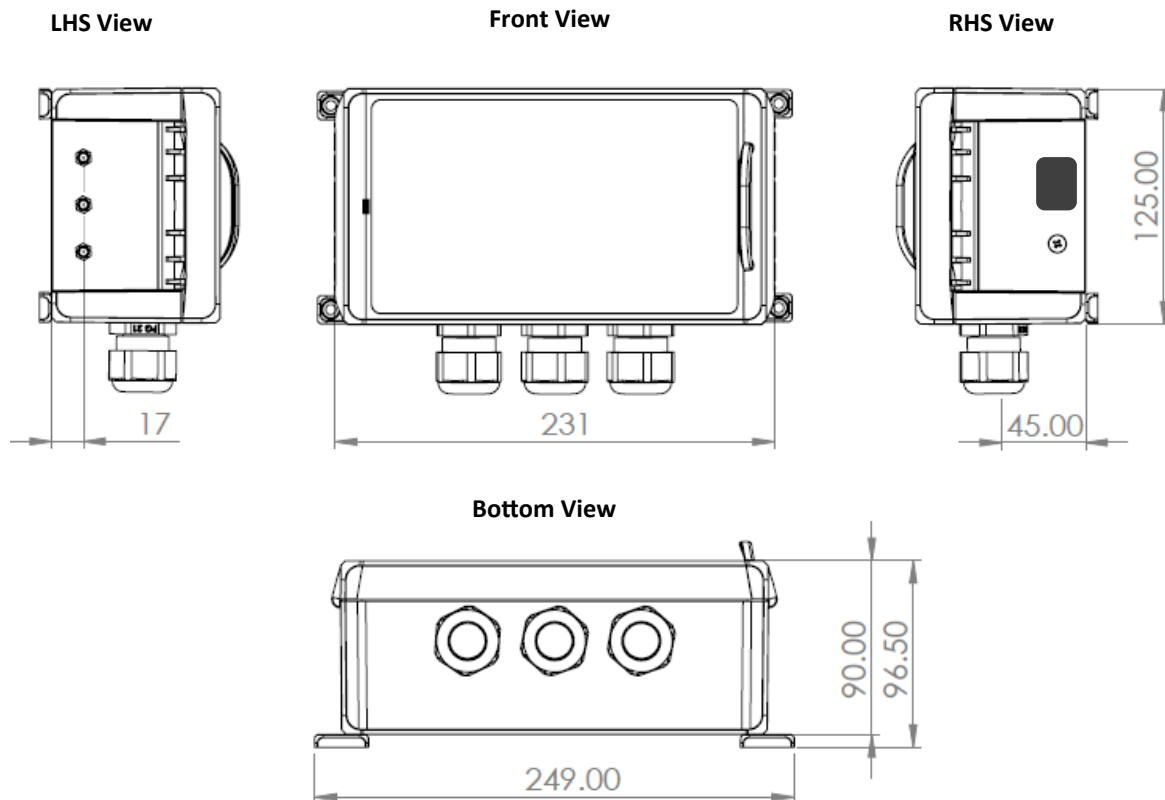
TECHNICAL SPECIFICATIONS

| PARAMETER NAME | PARAMETER VALUE | |
|-------------------------------|--|---|
| | XTREME | |
| | XTM XG920 | XTM XG930 |
| ANALOG INPUTS | | |
| Channels | 4 differential or 8 single ended 24 bit | 8 differential or 16 single ended 24 bit |
| Range | 0 - 5 V 0 - 1 V 0 - 100 mV 0 - 20 mA 80 - 200 Ω (PT 100) 800 - 2000 Ω (PT 1000) | |
| Resolution | 24 bit | |
| Accuracy | ±0.03 % of FS at 30 °C ±0.06 % of FS over the entire temperature range | |
| Type | Delta - Sigma | |
| Analog Sampling Rate | upto 200 Hz | |
| DIGITAL INPUTS | | |
| Digital Input | 4 | |
| Digital Output | 2 | |
| Max Input Frequency | 1 kHz | |
| SERIAL INPUTS | | |
| Interfaces | RS232(x2), RS485(x2), SDI12 | |
| Protocols | RS232(1) : NMEA (O/P) / MODBUS (slave) RS232(2) : MODBUS (master) RS485(1) : MODBUS (master) RS485(2) : MODBUS (slave) | |
| Baudrate | RS232 / RS485 : 9600, 38400, 19200, 57600, 115200 SDI12: 1200 | |
| ADDITIONAL CHANNELS | | |
| Sensor Inputs | Rain Bucket (Aeron and Davis [®] Make) Anemometer (Davis [®] Make) Air Temp Humidity (Aeron and Davis [®] Make) OPC particle sensor (Alphasense [®] Make) | |
| On-board Sensors | Temperature Sensor | |
| NETWORK INTERFACES | | |
| Interfaces | Ethernet, Wi-Fi, Bluetooth and LTE | |
| Protocols | Ethernet / Wi-Fi / Bluetooth / LTE: BNEP, FTP, HTTP, HTTPS TCP: MODBUS | |
| Frequency Band | FDD LTE: B1/B3 TDD LTE: B38/B39/B40/B41 TDSCDMA: B34/B39 WCDMA: B1 CDMA2000 1x/EVDO: BC0 GSM: 900/1800 Wi-Fi: IEEE 802.11 a/b/g/n, 2.4 GHz Bluetooth: V2.1 / V3.0 / V4.0, 2.4 GHz | |
| MEASUREMENT PARAMETERS | | |
| Simultaneous Parameters | 1000 parameters including sensor and calculated parameters | |
| Logging Data Rate | 1 second (min.) to 24 hours (max.) | |
| Time Synchronization | GPS / Cellular / NTP / Manual | |

| PARAMETER NAME | PARAMETER VALUE | |
|-----------------------------|--|-----------|
| | XTREME | |
| | XTM XG920 | XTM XG930 |
| STORAGE | | |
| Internal Backup Memory | 1 GB | |
| SD Card Memory | 8 GB (expandable upto 32 GB) | |
| USB | Data retrieval on a Pen Drive | |
| OTHER SPECIFICATIONS | | |
| Micro-processor | 32-bit | |
| LED Indicators | Power, USB data download, Internet | |
| RTC | Onboard with 3 V coin cell | |
| ELECTRICAL | | |
| Voltage Input | 9 to 28 V DC | |
| Power Consumption | <10 W | |
| Batteries | Additional accessory, needs to be purchased separately | |
| ENVIRONMENT | | |
| Operating Temperature | -40 °C to +70 °C | |
| Protection | IP65 | |
| Housing | PC UV Protected | |
| Dimensions | 231 (L) x 125 (W) x 90 (H) mm | |
| Weight | <1 kg | |

MECHANICAL DIMENSIONS

All dimensions in mm

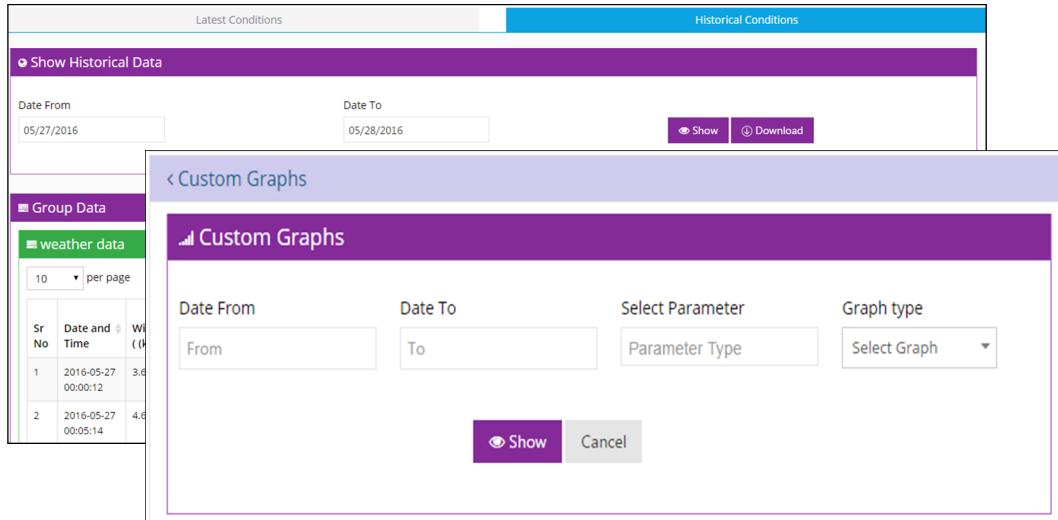


MADE IN INDIA

Datasheet Ver. 1.0.6, Sep 2021

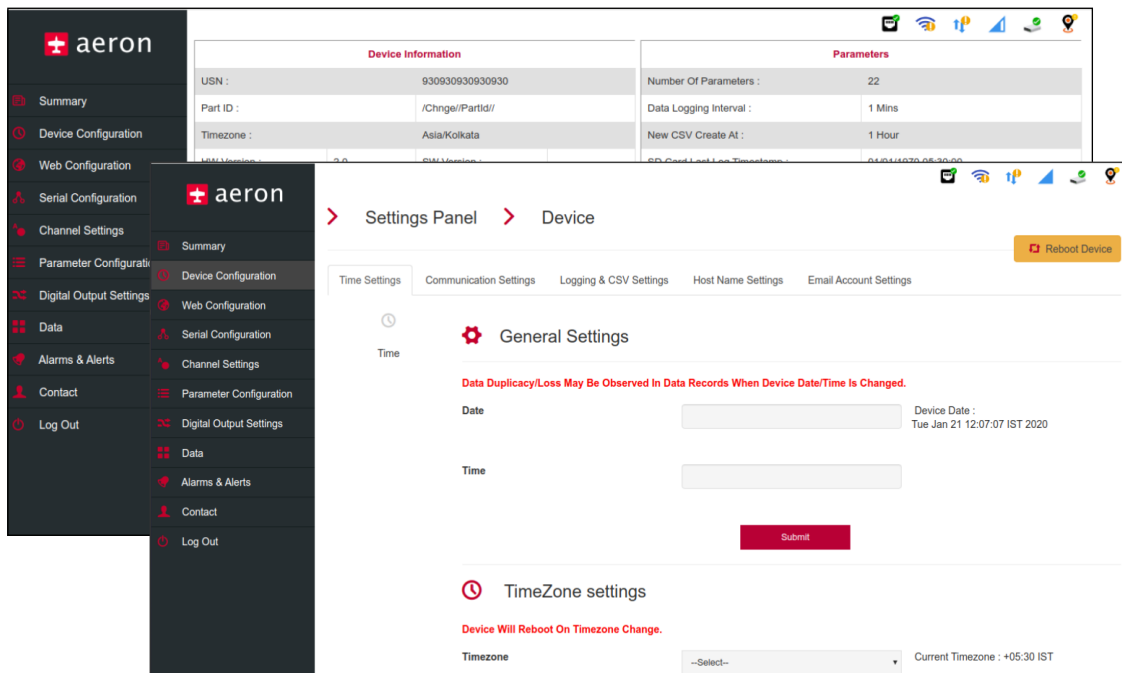
AERON LIVE

Aeron Live a user-friendly cloud service from Aeron, for 24x7 data storage and analysis.



EMBEDDED WEBPAGE

Configuration made easy through embedded web server.



ORDERING INFORMATION

XTM - XG9X0

2 : 8 Analog Channels (Product Code: 24008)
3 : 16 Analog Channels (Product Code: 24009)